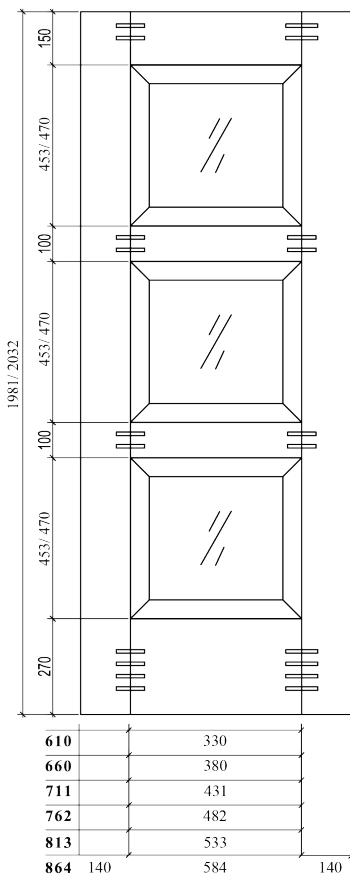


Silk Grey Primed Vienna 3 Panel - Clear Bevelled

Internal Door

Engineered Construction



Door Sizes

Product	Thickness mm	Width mm	Length mm	Width inch	Length inch
A0957	44	610	1981	24	78
A0958	44	660	1981	26	78
A0959	44	711	1981	28	78
A0960	44	762	1981	30	78
A0961	44	813	2032	32	80
A0962	44	864	2032	34	80

Material Specification

Construction	Stile and Rail
Outside Lipping	10 mm FJL Hardwood + 10mm FJL Hardwood
Inner Lipping	5mm FJL Hardwood
Profile	MDF
Face/Skin	2.5mm MDF
Core for SR&M	Particle Board
Core for Panel	-
Dowel	Hardwood
Glazing Type (if applicable)	5mm Clear Bevelled (All Glasses are EN12150-1 certified Tempered Glass)
Finishing	Grey Primed PU
Glue (Lipping)	EPI
Glue (Face)	UF